

XCU3-Compact

316L 2MP AI-prepared compact camera, h.264/h.265

Quick Start Guide

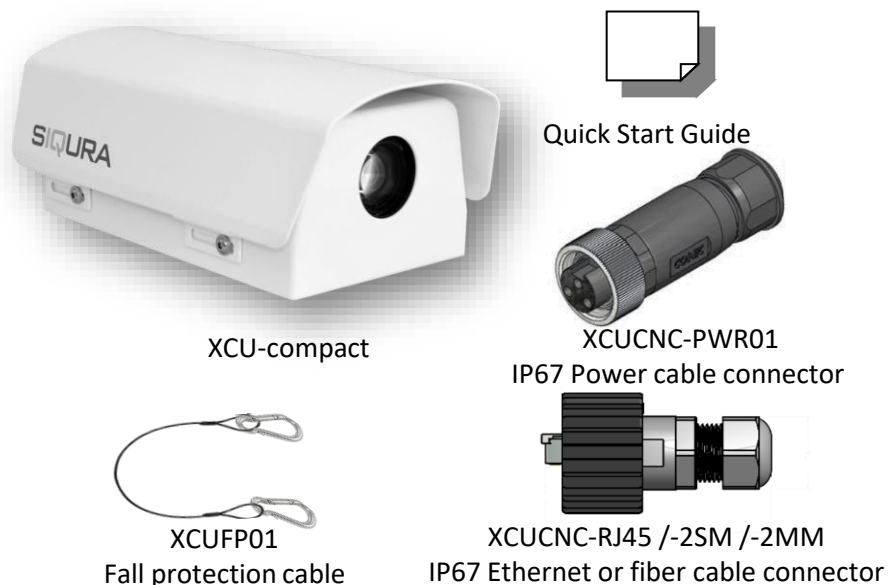


Find the installation manual, the datasheet, the EU Declaration of Conformity, and the latest firmware for this product at:

TKHsecurity.com



Unpack



Note 1: Subject to modification. Actual product and accessories may differ in appearance.

Installation Notices



DOWNLOAD THE INSTALLATION MANUAL FROM TKHSECURITY.COM AND FOLLOW ITS INSTRUCTIONS.

CAUTION:

INSTALLATION SHALL BE PERFORMED BY QUALIFIED PERSONNEL ONLY. INSTALLATION SHALL BE IN ACCORDANCE WITH LOCAL PROCEDURES. DO NOT EXPOSE THE CONNECTORS TO EXCESSIVE HEAT OR PHYSICAL SHOCK. IF YOU USE AN EXTERNAL POWER SUPPLY, CONTACT TKH SECURITY TO MAKE SURE THAT THE POWER SUPPLY HAS THE PROPER POWER SPECIFICATIONS. MAKE SURE THAT THE POWER SUPPLY COMPLIES WITH LPS REQUIREMENTS. WHEN INSTALLING THE CAMERA, MAKE SURE TO USE THE PROPER XCU BRACKETS AND ACCESSORIES. FOR MORE INFORMATION, CONTACT TKH SECURITY.

Camera Mounting Brackets

Use the appropriate mounting brackets for the XCU Compact



XCUSW01 Swivel mount bracket

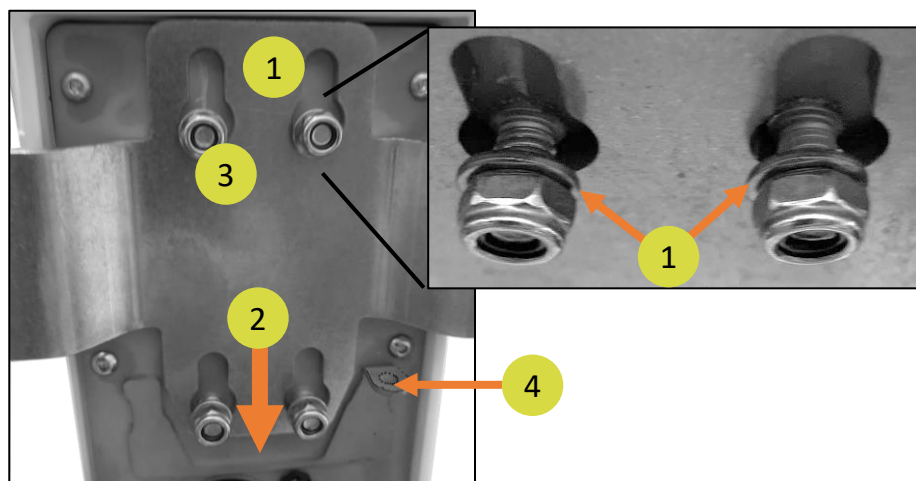


XCUCM01 or CM02 Ceiling mount bracket



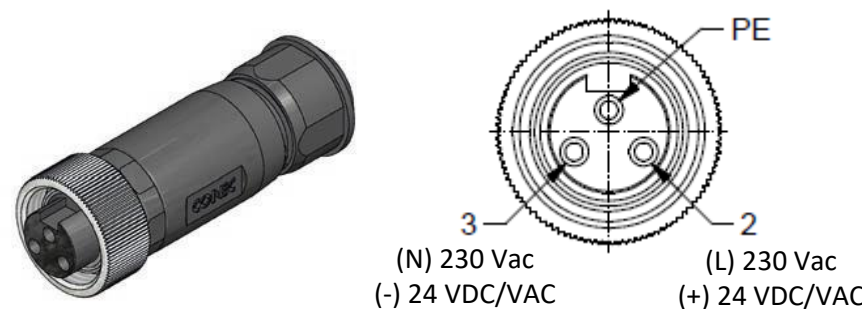
XCUWM01 Wall/Pole mount bracket

Mounting the camera on a bracket



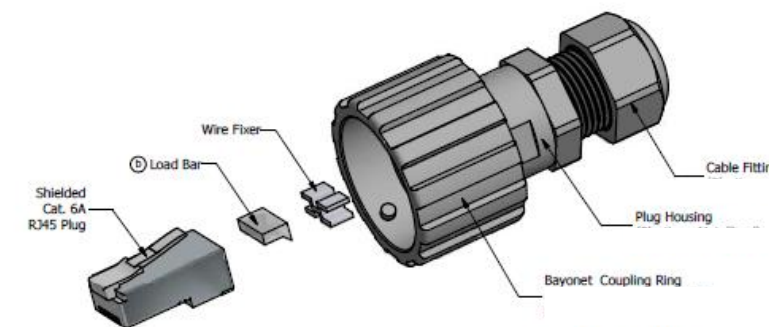
1. Place the camera with the 4 bolts and washers through the four slots of the bracket.
2. Slide the camera forward, as far as it will go
3. Install the bolts to secure the camera to the bracket
4. Connect the fall protection cable to both the camera and the bracket

Camera Power Cable

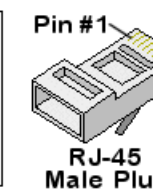
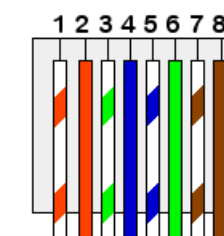


- XCUCNC-PWR01:
- Cable diameter: 6-12mm.
 - Screw termination: Wire range 0.5 – 1.5 mm²

RJ45 Ethernet Cable

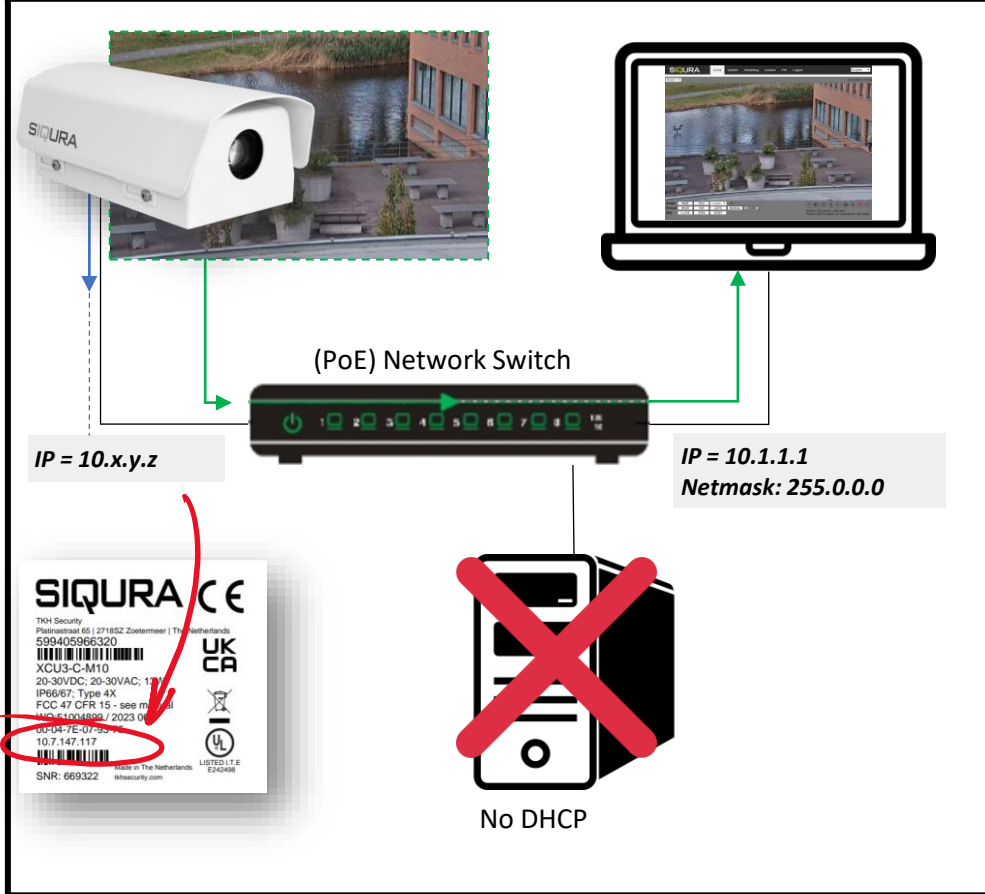


T-568B Standard Wiring



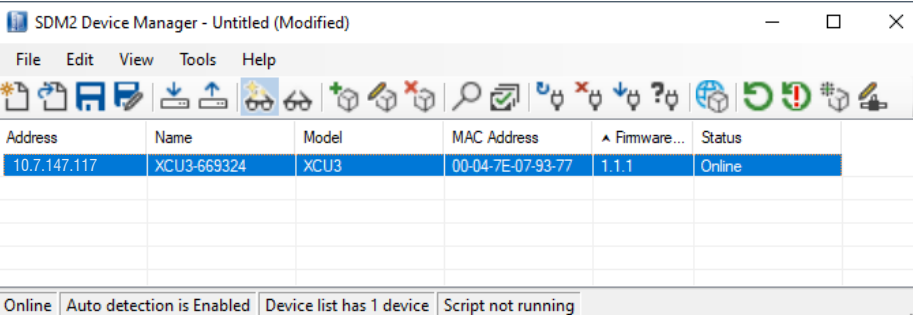


- XCUCNC-RJ45:
- Cable diameter: 4-8mm.
 - Wire size AWG24
 - Shielded CAT6A

Accessing the Camera



Auto Detect with Device Manager SDM2

- Download SDM2

 SDM2-setup.exe
- Install SDM2

 IP = 10.1.1.1
 Netmask: 255.0.0.0
- Run SDM2 and double click the camera


Address	Name	Model	MAC Address	Firmware...	Status
10.7.147.117	XCU3-669324	XCU3	00-04-7E-07-93-77	1.1.1	Online

1st Time Camera Login

- Create an Admin user
 Enter the Administrator's username and password. The password should be at least 6 characters long, a mix of letters (upper and lower case), numbers, and symbols, and no dictionary words.

Username:

Password: ✗

Confirm password: ✓

Back Next
- Summary
 Enter an admin username and strong password. Click "Next".
 By pressing "Activate" the Admin credentials will be activated. You will be asked to login again. Be aware that in plain HTTP mode you credentials will be send in plain text.

Back Activate

Click "Activate" to save the initial admin user.