

SA-WP10-10m-VSF

Washer tanks with submersible pump system

Installation Manual



Note: To ensure proper operation, please read this manual thoroughly before using the product and retain the information for future reference.

Copyright © 2019 Siquira B.V.

All rights reserved.

SA-WP10-10m-VSF
Installation Manual v2
AIT55

Nothing from this publication may be copied, translated, reproduced, and/or published by means of printing, photocopying, or by any other means without the prior written permission of Siquira.

Siquira reserves the right to modify specifications stated in this manual.

Brand names

Any brand names mentioned in this manual are registered trademarks of their respective owners.

Liability

Siquira accepts no liability for claims from third parties arising from improper use other than that stated in this manual.

Although considerable care has been taken to ensure a correct and suitably comprehensive description of all relevant product components, this manual may nonetheless contain errors and inaccuracies. We invite you to offer your suggestions and comments by email via t.writing@tkhsecurity.com. Your feedback will help us to further improve our documentation.

How to contact us

If you have any comments or queries concerning any aspect related to the product, do not hesitate to contact:

Siquira B.V.
Meridiaan 32
2801 DA Gouda
The Netherlands


General : +31 182 592 333

E-mail : siquira@siquira.com

WWW : siquira.com

1 SA-WP Series - Installation Manual

Preserve this manual as a reference for future needs.

	<p>Used electrical, electronic and stainless steel products should not be mixed with general waste. For proper treatment, recovery and recycling of old products, take them to applicable collection points, in accordance with your national legislation and the Directives 2002/95/EC and 2002/96/EC.</p> <p>By disposing of these products correctly, you help to save valuable resources and prevent any potential negative effects on human health and the environment which could otherwise arise from inappropriate waste handling. For more information about collection and recycling of old products, contact your local municipality or your waste disposal service. Penalties may be applicable for incorrect disposal of this waste, in accordance with national legislation.</p>
---	--

The manufacturer declines all liability for any consequence resulting from improper installation practices, tampering or improper uses of the product.

The descriptions and illustrations contained in this manual are not binding. The manufacturer reserves the right to make any alterations deemed appropriate for the technical, manufacturing, and commercial improvement of the product, while leaving the essential product features unchanged, at any time and without undertaking to update the present publication.

1.1 Description

The SA-WP10-10m-VSF series has been designed to operate on camera housings with wash wiper system.

They are available for 24 Vac, 115 Vac, or 230 Vac supply voltage.

The units can be controlled using a 24 Vac signal.


A float switch that prevents the pump from running dry and gives an empty tank output alarm is available as option.


	Capacity	Delivery height	Enclosure
SA-WP10	10 litres	10 metres	frame

1.2 Certifications

Weatherproof standard: IP66 (junction box)
 2004/108/EC (EMC – Electromagnetic Compatibility)
 2006/95/EC (LVD – Safety)

1.3 Install the system

	<ul style="list-style-type: none"> • Prior to installation and operation, carefully read all instructions in this manual and heed all warnings.
	<ul style="list-style-type: none"> • Unpack this equipment and handle it carefully. If the package appears to be damaged, notify the shipper immediately.
	<ul style="list-style-type: none"> • Use the original packaging to transport the unit. Disconnect power supply before moving it. In case of returning the equipment, the original packaging must be used.
	<ul style="list-style-type: none"> • Make sure that the installation surface can support at least four times the weight of the unit in normal operating conditions. In case of excessive external stress (vibration, strong winds or impact, for example), the equipment may need additional means of protection.
	<ul style="list-style-type: none"> • Proper stainless steel hardware should be carefully chosen to fasten the unit to the surfaces.
	<ul style="list-style-type: none"> • The internal pump must not run dry to prevent its failure. A float switch option with an empty tank alarm is available to prevent such damages.
	<ul style="list-style-type: none"> • Use caution when lifting and assembling the unit. It is recommended that non-slip protective gloves be worn during installation. The unit could bear sharp edges.
	<ul style="list-style-type: none"> • The junction box must be tightly closed when operating.
	<ul style="list-style-type: none"> • The unit is intended to be used with water or with water solutions: denser mixtures could obstruct the nozzle. If the solution used has residual, it must be filtered before use. Keep the unit empty until the end of the installation.
	<ul style="list-style-type: none"> • This equipment has been designed to fit in harsh environments requiring little or no maintenance. Suggested inspection interval is 6 months, but extremely harsh environments may require more frequent inspection and maintenance checks. Check cables, electrical connections, and mounting hardware for integrity and tightness. Replace or tighten any damaged/loose part.
<ul style="list-style-type: none"> • Operating temperature: -20 °C to +55 °C (-4 °F to +131 °F) 	

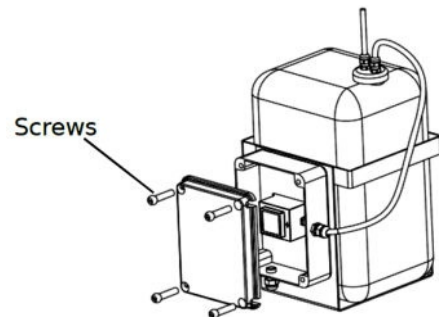
	<ul style="list-style-type: none"> • Before performing any installation or maintenance, turn off the power. The installation of the unit can be performed only by qualified personnel in accordance with the regulations in force. Do not connect the unit to a supply circuit unless the installation is completed.
	<ul style="list-style-type: none"> • Carefully check the supply voltage marked on the label. An incorrect power supply voltage may damage the unit. Do not overload the terminal connection, as it may cause a fire or electrical shock hazard.
	<ul style="list-style-type: none"> • Use a suitable fuse for overcurrent protection.
	<ul style="list-style-type: none"> • Fasten all the cables inside the housing with cables ties or other fixing means to avoid the electrical contact with surrounding parts in case cables get loose.
	<ul style="list-style-type: none"> • Electrical connections (such as plugs and cords) must be protected from potential hazardous environmental factors (e.g. foot traffic, hitting objects).
	<ul style="list-style-type: none"> • Make sure that the unit case is properly earthed, connecting all the earth ground studs. Earth cable should be about 10 mm longer than the other cables on the connector, in such way that it will not be accidentally disconnected if the cable is stretched or pulled.

1.3.1 Preliminary installation steps

FRAME MODEL

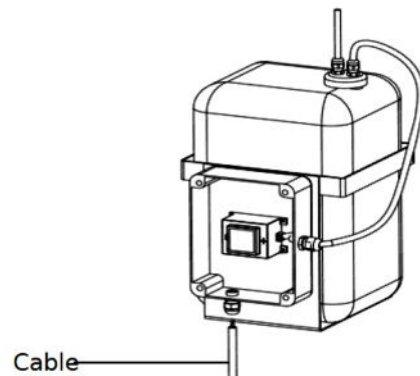
1. Open the plastic box

- a) Remove the four screws.
- b) Extract the cover of the plastic box.



2. Insert the cables

- a) Pass the power supply cable through the fairlead and through the cable gland into the plastic box.
- b) Tighten the cable glands to an 8 Nm torque ratio



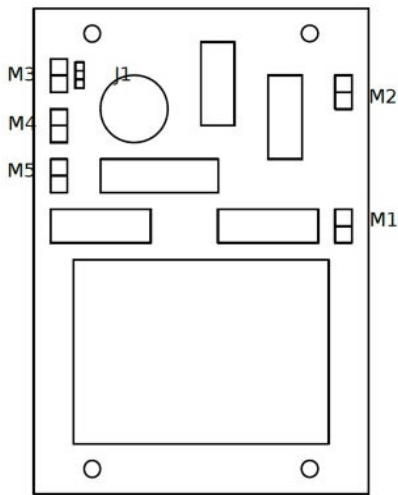
1.3.2 Electrical connections

The plastic junction box has five cable glands in float switch models:

- Use the following tables and diagrams to perform the electrical connections (depending on the model).
- Close the plastic box.

10-METRE PUMPS

Conn.	Description
M1	Power supply (voltage: 24, 115 or 230 Vac, depending on model) Power consumption: 50 W max.
M2	Signal input (24 Vac voltage)
M3	Empty tank alarm*. Can be set to NC or NO via J1.
M4	Float switch (connected by Siquira)*.
M5	Water pump output (connected by Siquira).



The diagram shows a rectangular junction box with five terminal blocks labeled M1 through M5. M1 is on the right side, M2 is on the top right, M3, M4, and M5 are on the left side. A central component labeled J1 is connected to M3. There are also two circular terminals at the bottom of the box.

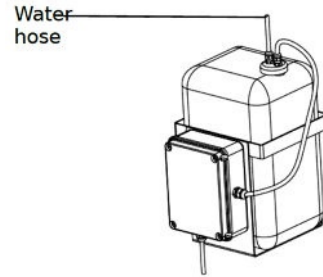
*Not connected in models without float switch

1.3.3 Final installation steps

FRAME MODEL

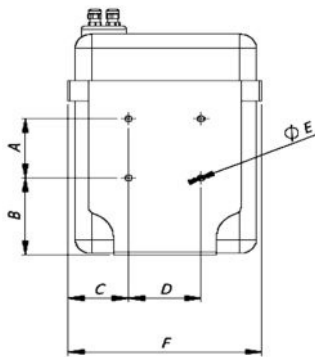
Complete the installation

- Connect the water hose to the housing washer nozzle.

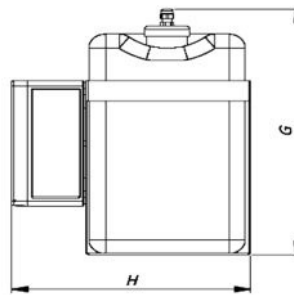


1.4 Dimensions

MOUNTING PATTERN (FRAME)



SIDE VIEW (FRAME)



	WP10
A	85
B	110
C	73.5
D	88
E	8.5
F	235
G	353
H	290