

## Features

- Drop/insert data communications systems
- 1 user-configurable data port (RS-232/422/485)
- Fault-tolerant ring operation
- Separate RS-232 expansion port
- 1- and 2-fiber versions
- Data retiming for unlimited repeating
- Rack-mount version



## 9525A Series

### Drop and insert data modems

#### Description

These Optelecom® drop and insert data modems support special features that make them extremely adaptable for many types of systems. In addition to the user-configurable data port, there is a buffered RS-232 port available for expanding to additional rings or daisy chains.

One user-programmable data port supports RS-232, RS-422, or RS-485 operation at up to 115.2kb/s.

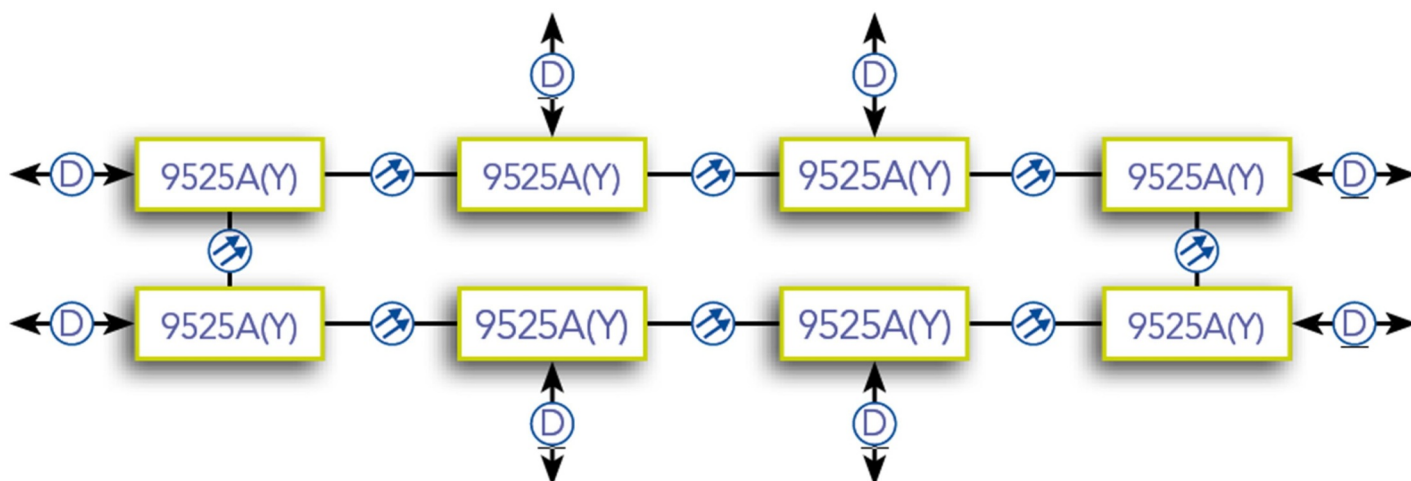
These units are also optically compatible with the 9522A series drop and insert modems. They are available in multi-mode and single-mode optical versions.

The wide operating temperature range of these units makes the 9525A series well-suited for environmentally harsh applications such as traffic monitoring, video surveillance in city centers, and federal and critical infrastructures.



# Technical Specifications

## 9525A Series



### Management

#### LED status indicators

9525A	Power, BERT, Fault-Pri, Fault-Sec, TX1/TD, RX1/RD, TX2/CTS, RX2/TDE, PR1/RDE, PR2/CTSE
9525AY	Power, BERT, Fault-Pri, Fault-Sec, TX1/TD, RX1/RD, TX2/CTS, RX2/TDE, PR1/RDE, PR2/CTSE

### Data interfaces

#### Primary data port

Type	User-configurable RS-232, RS-422 or RS-485 2- or 4-wire
Data rates	150, 300, 600, 1.2k, 2.4k, 3.6k, 4.8k, 7.2k, 9.6k, 14.4k, 19.2k, 28.8 k, 38.4k, 57.6k, 115.2k baud, auto ranging
Retiming accuracy	0.01% of pulse width
Connector	DE25S (D type female, 9-pin)

#### Expansion data port

Type	RS-232
Data rates	150, 300, 600, 1.2k, 2.4k, 3.6k, 4.8k, 7.2k, 9.6k, 14.4k, 19.2k, 28.8 k, 38.4k, 57.6k, 115.2k baud, auto ranging
Retiming accuracy	0.01% of pulse width
Connector	RJ-11

### Power requirements

#### 9525A, 9525AY

Voltage	9 to 15VDC
Current	200mA at 12VDC

### Environmental

Operating temperature	-40°C to +74°C (-40°F to +165°F)
Storage temperature	-55°C to +85°C (-67°F to +185°F)
Relative humidity	<95% with no condensation

# Technical Specifications

## 9525A Series

### Mechanical

9525A, 9525AY

Housing	Standalone chassis
Dimensions (h x w x d)	40.6 x 81.3 x 127.0mm (1.6 x 3.2 x 5.0in)
Weight	453.6g (16.0oz)

### Optical

	9525A-S	9525A-LD	9525AY-SM TX/RX
Fiber type	MM (62.5)	SM (09)	SM (09)
Output wavelength	850nm	1310nm	1310nm/1550nm
Output power	-9dBm	-18dBm	-18dBm/-18dBm
Input sensitivity	-41dBm	-41dBm	-38dBm/-38dBm
System link budget	22dB <sup>1</sup>	23dB	20dB/20dB
Fiber length (range) <sup>2</sup>	6km	57km	43km
Connector type	ST (others optional)	ST (others optional)	ST (others optional)

<sup>1</sup>For 50/125µm fiber, subtract 4dB.

<sup>2</sup>Range may be limited by modal and chromatic dispersion, fibre quality, and fiber bandwidth.

### Ordering information

Models	Description	Fiber type
9525A-S-ST	Drop and insert data modem	2xMM
9525A-LD-ST	Drop and insert data modem	2xSM
9525AY/SM-ST	Drop and insert data modem	1xSM
PSA-UN12DC	Wall-Wart, switching power supply	
PSR-12DC	DIN rail mounting, switching power supply	



The quality management system used in the development, production, sales, and support of this product is ISO 9001:2008 certified by LRQA.

© Siqua B.V. - January 2013 Version 1.0 - Subject to modification.

